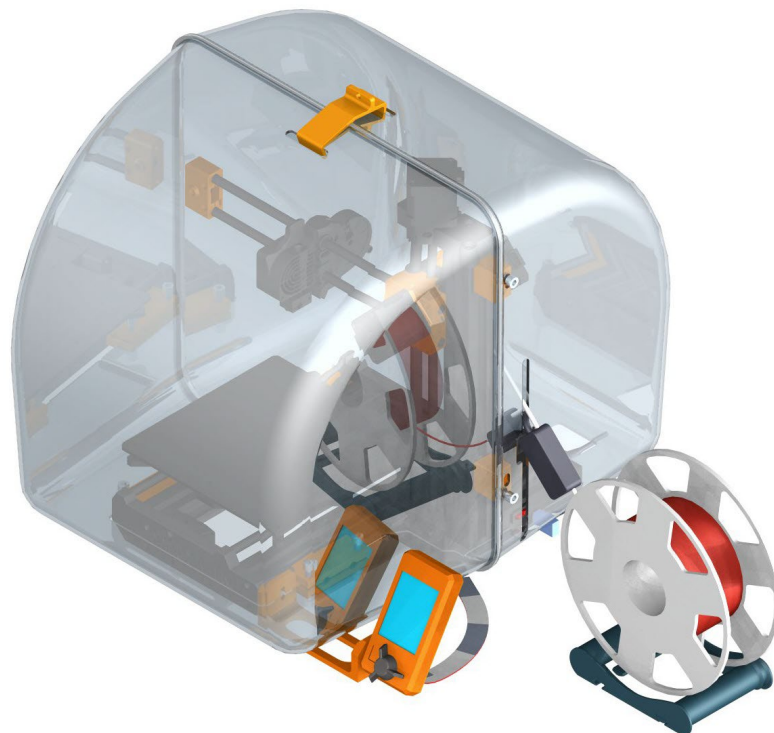




atmos3D
3D printer enclosures

Enclosure Installation Guide

Original Prusa Mini+



Thank you for choosing atmos3D products.

Common benefits using enclosures:

- **It saves electricity costs! Enclosure reduces electricity consumption by 20-30 percent.** The print space can be kept cooler. Also, the heating of the extruder and the table is faster
- It helps to maintain a constant temperature when 3D printing with high-temperature filaments like ABS, ASA, Nylon, etc. – better printing quality
- Traps or limits fumes emitted into the room
- Protects your printer from dust
- Keeps kids and pets safe from moving parts and hot components.
- Noise reduction

atmos3D enclosures are much more:

- Easy to install - is attached to the 3D printer body - enables ventilation under the printer
- The display screen is outside the enclosure
- The front cover can be removed quickly when printing PLA
- Confidentiality - using opaque enclosures, different colors
- An inexpensive printer can be turned into an industrial-level device

Read this guide carefully before use. You can also see the installation video from www.atmos3d.com

If you encounter any issues or have any questions when using atmos3D products, please use the contact information at the end of this guide to contact us.

Please visit the atmos3D website www.atmos3d.com to select the relevant printer and model and download the required STL-files for the fixtures and parts.

List of parts

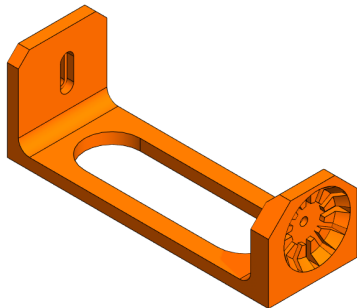
Back cover



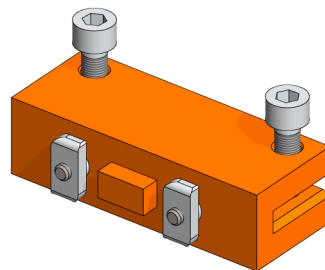
Front cover



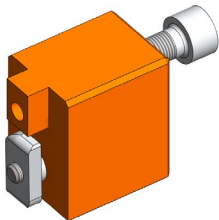
Display extension



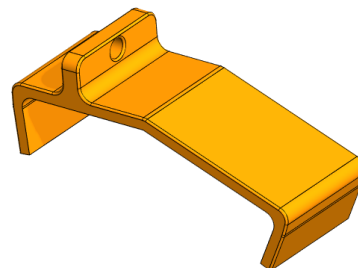
Base fixture (3x)



Side fixture (2x)

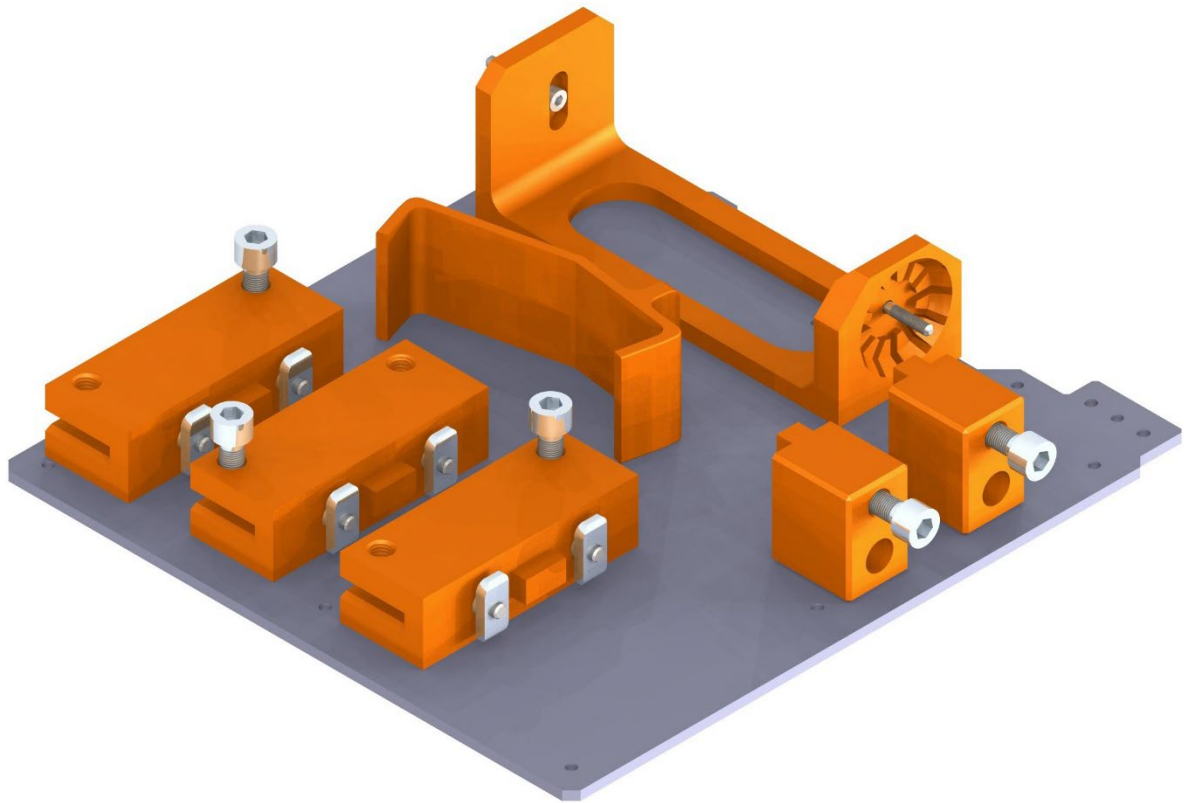


Top fixture



- 2.5mm Allen key
- 5mm Allen key
- T-Nut 2020 M4 (11x)
- M4 x 14 screw (14x)
- M6 x 16 screw (4x)
- M4 nut (3x)

Original Prusa Mini+



Screws and nuts are in the package:

M6 x 16 screw (5x)

T-Nut 3030 M4 (8x)

M4 x 10 screw (8x)

M3 x 16 screw (2x)

Downloadable files:

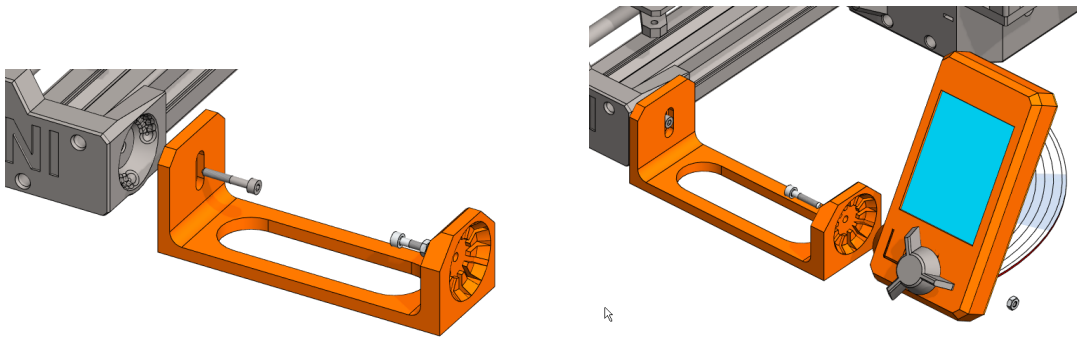
[PRUSA_MIN_DISP_EXTENSION.STL](#)

[PRUSA_MIN_BASE_FIXT.STL](#)

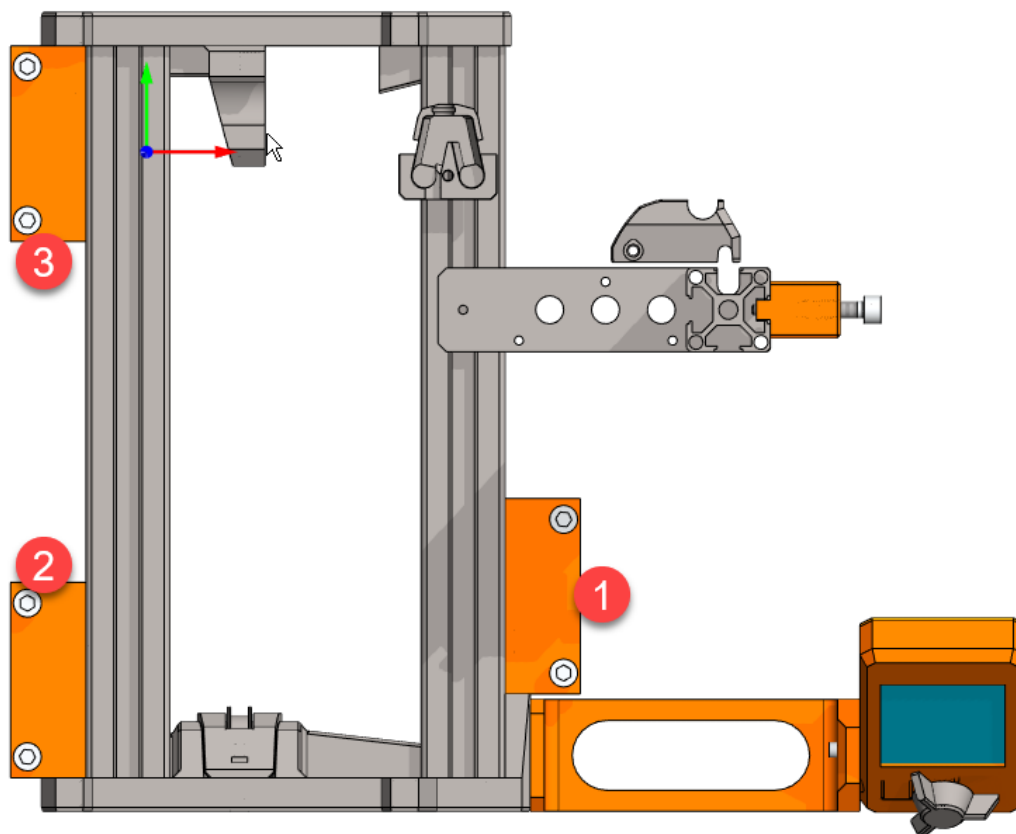
[PRUSA_MIN_SIDE_FIX.STL](#)

[PRUSA_MIN_COVER HOLDER.STL](#)

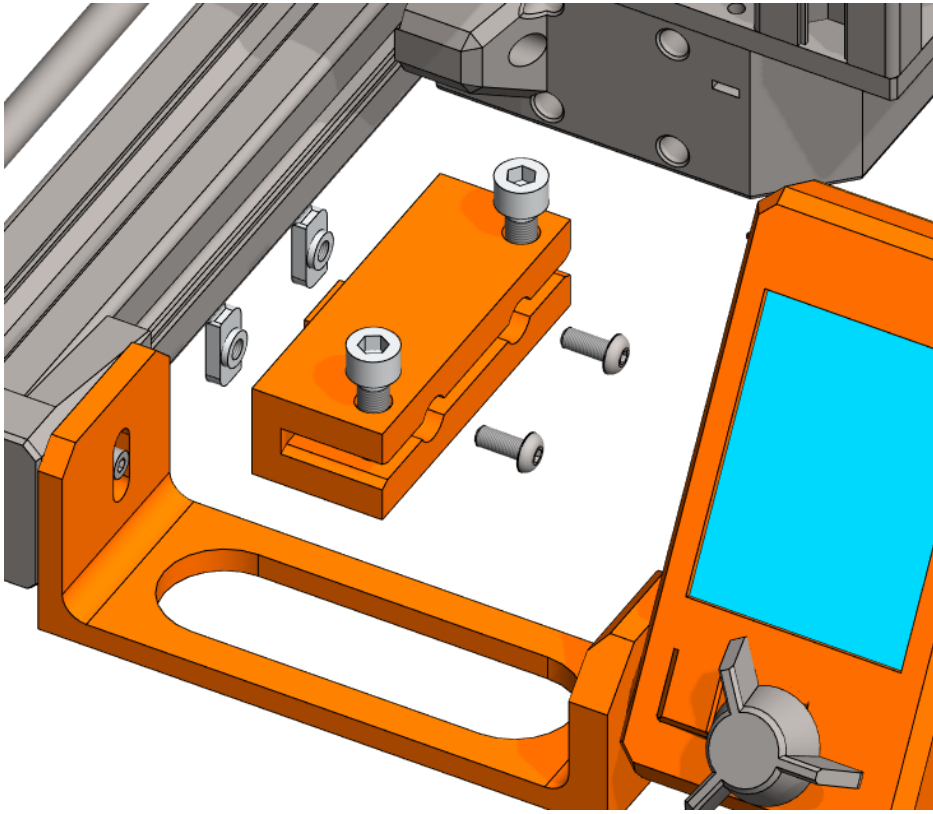
1. Display unit extension:



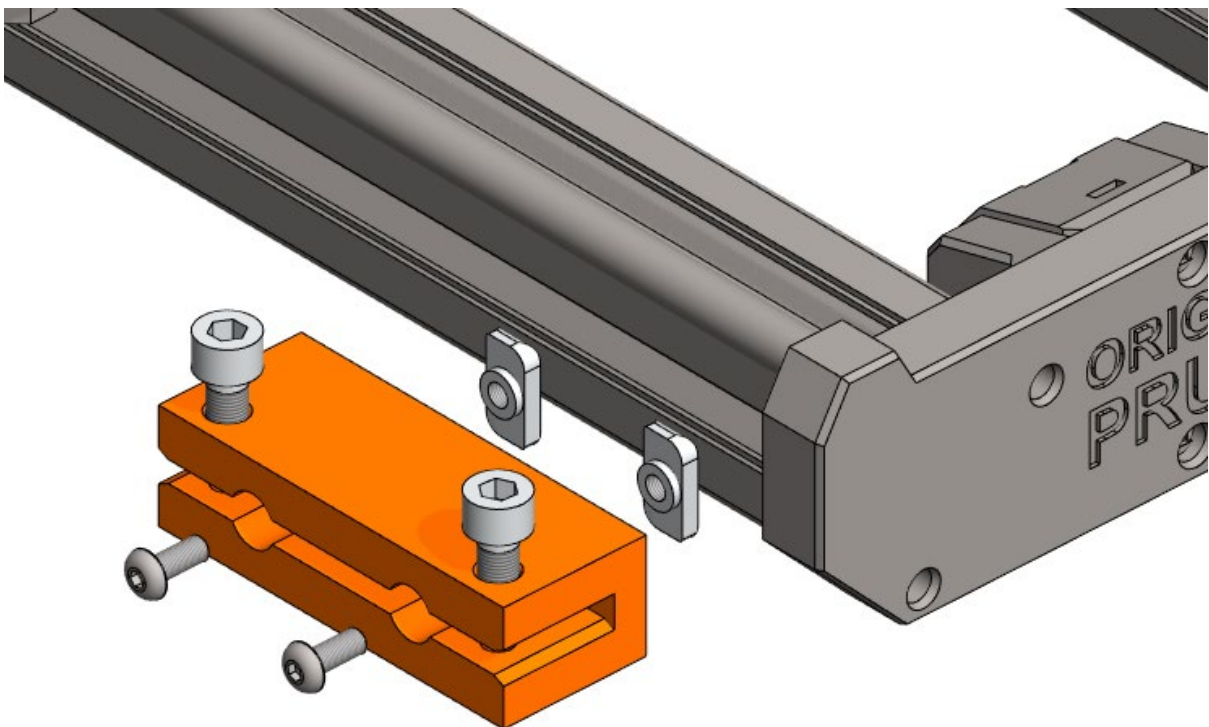
2. Base fixtures: (3x)



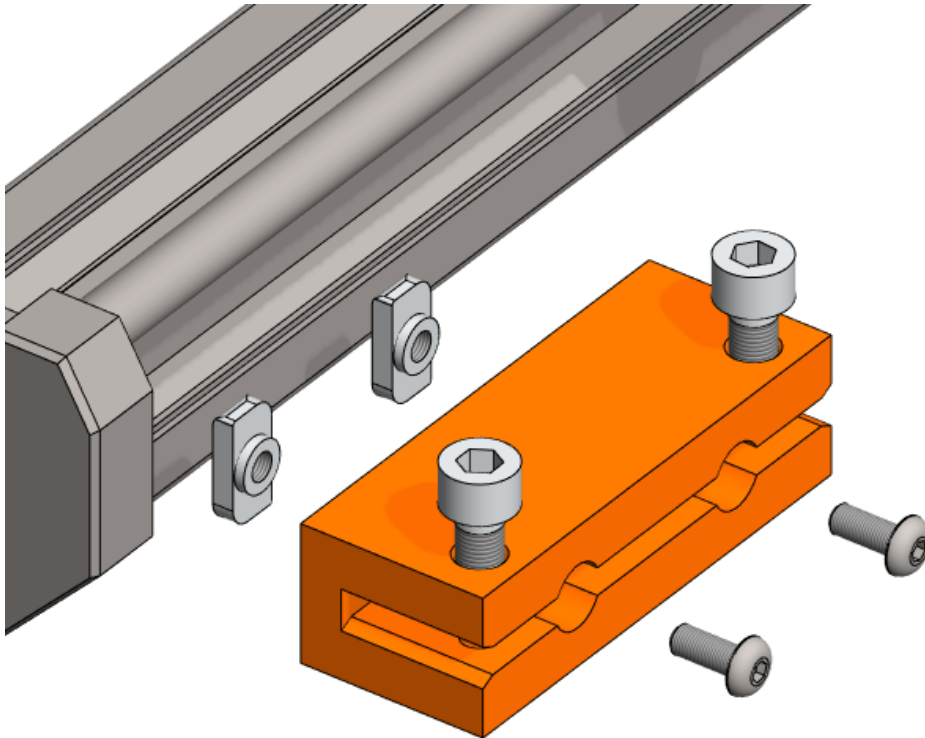
Right base fixture:



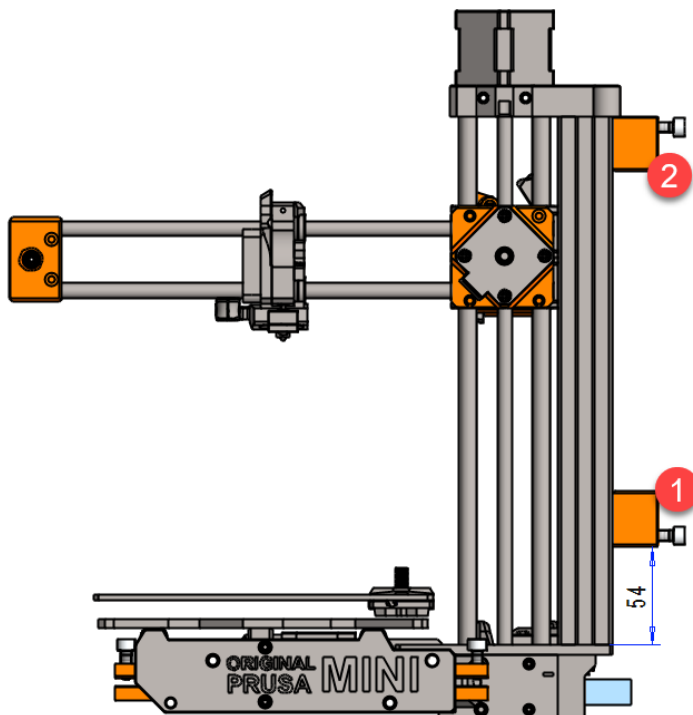
Left front base fixture:

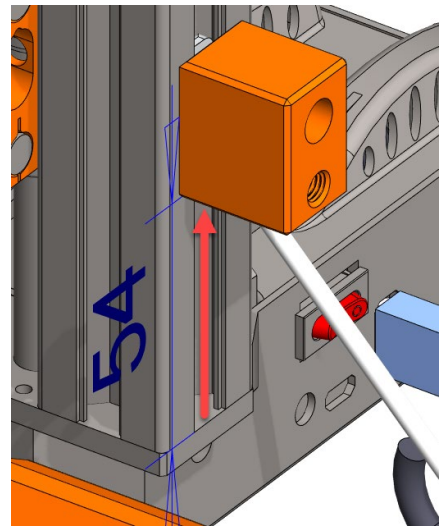
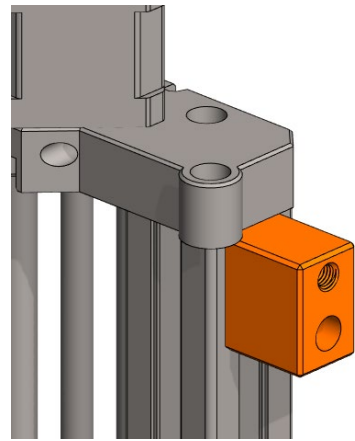
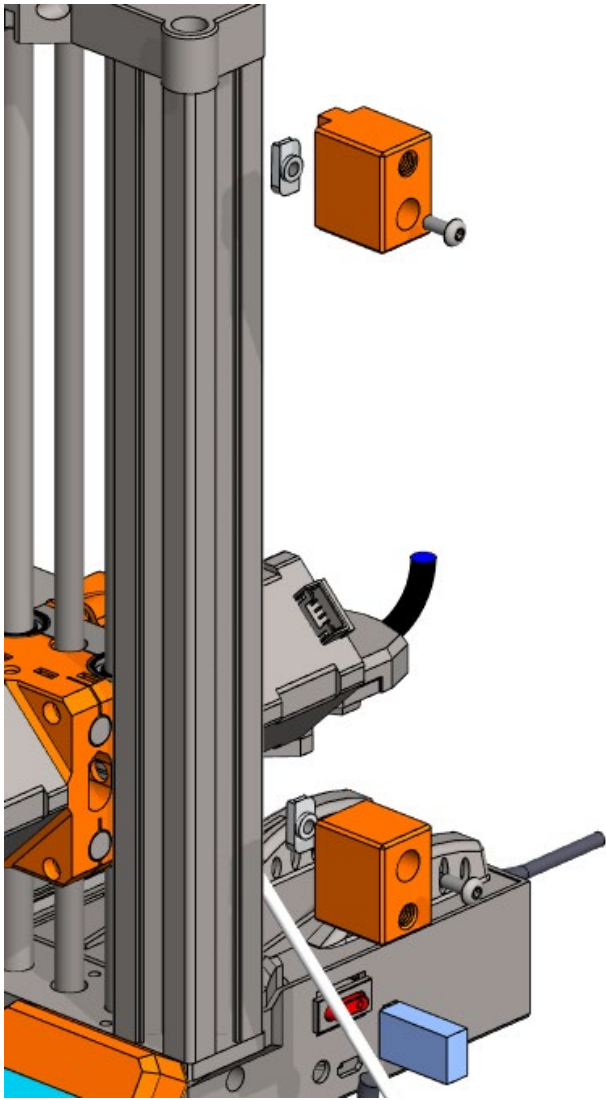


Left back base fixture:

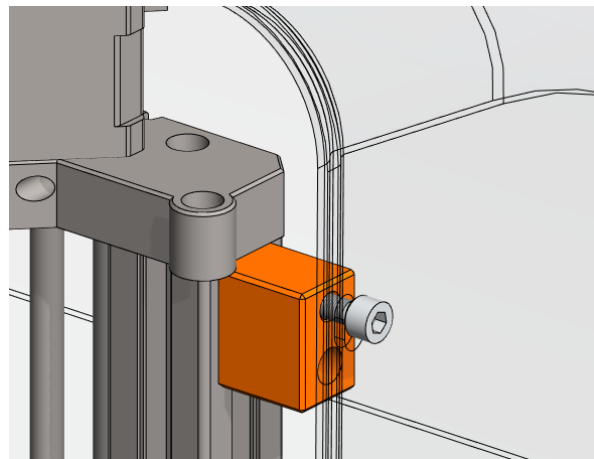
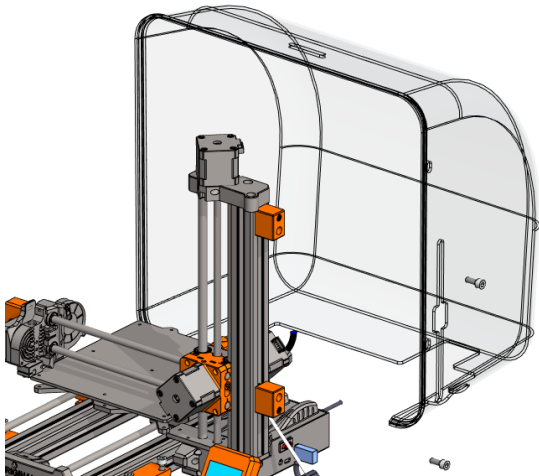
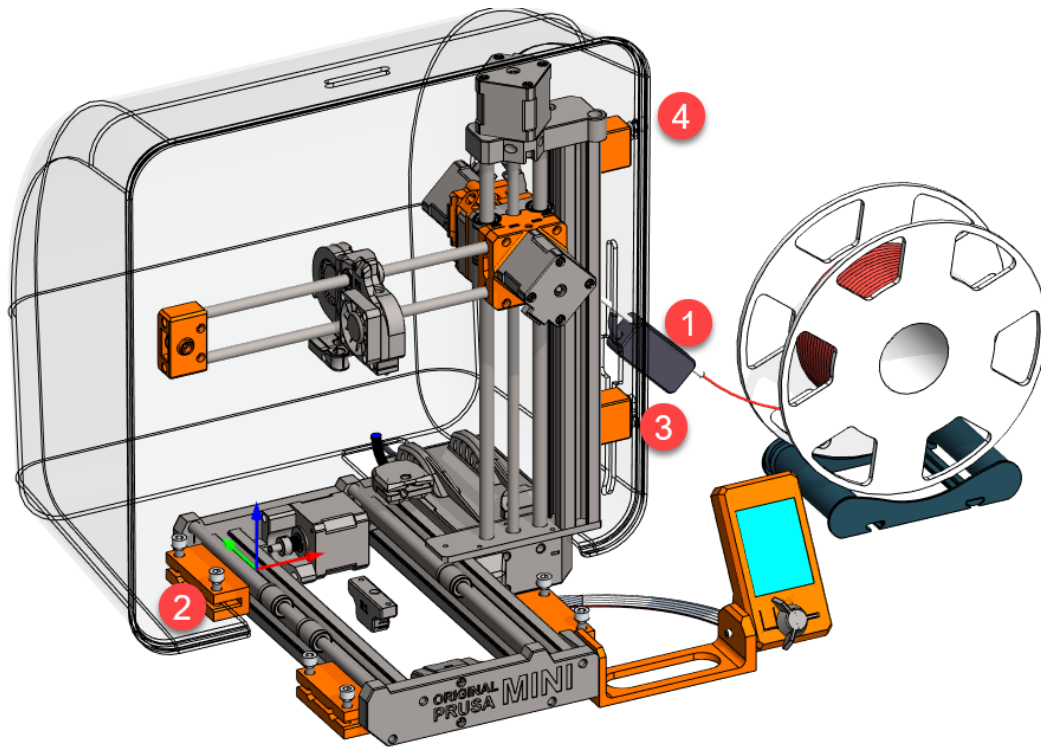


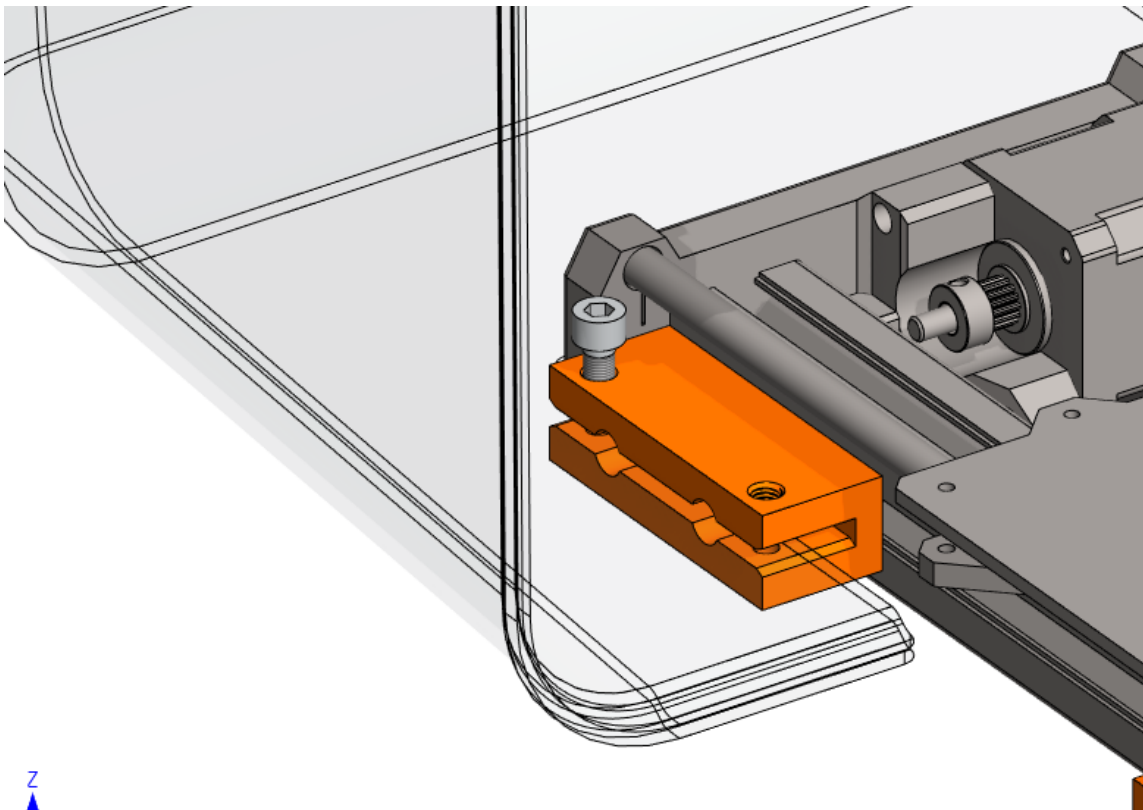
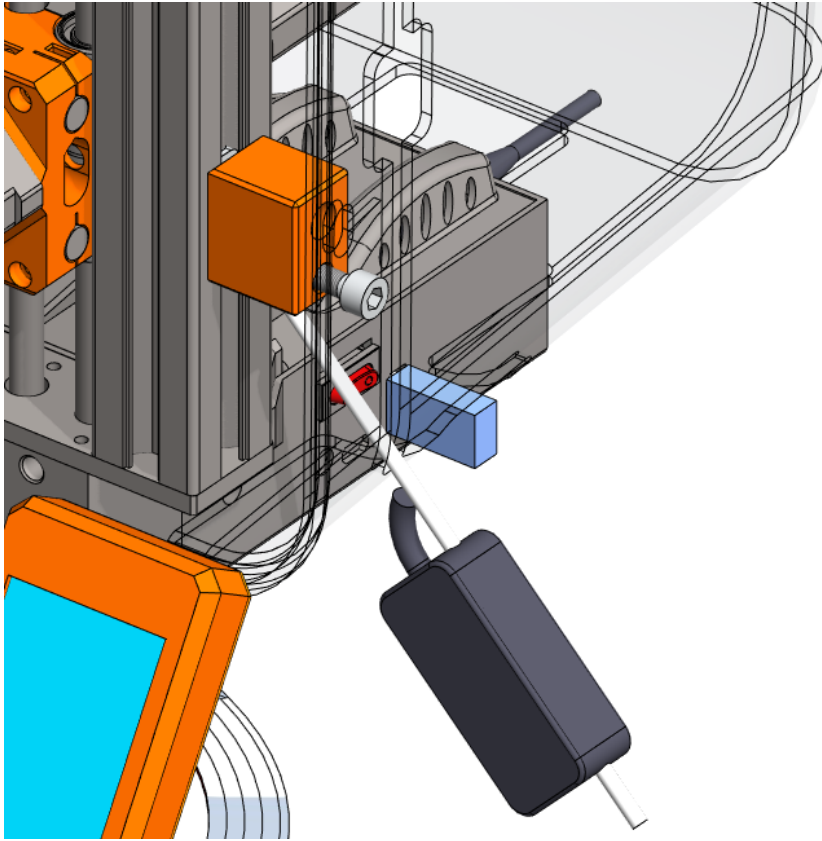
3. Side fixtures



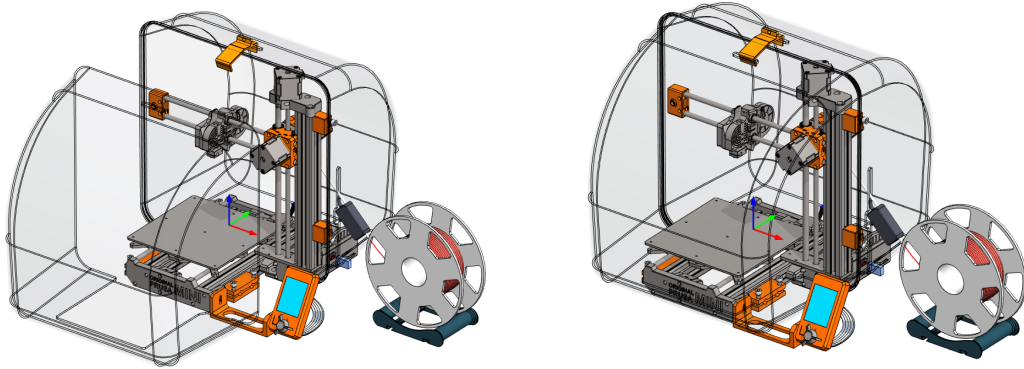


4. Back cover and filament





5. Front cover



Ready for printing!

